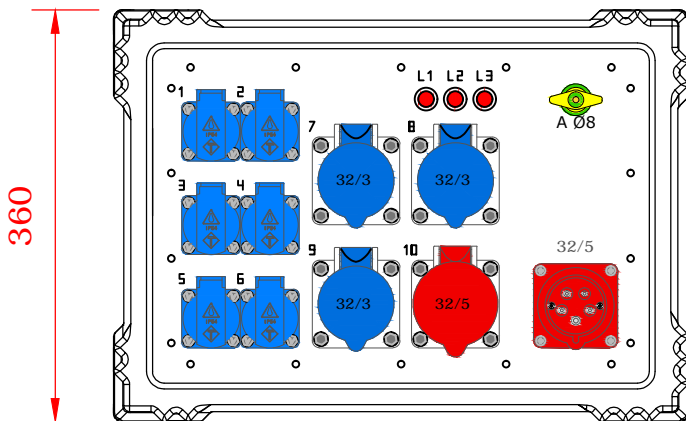
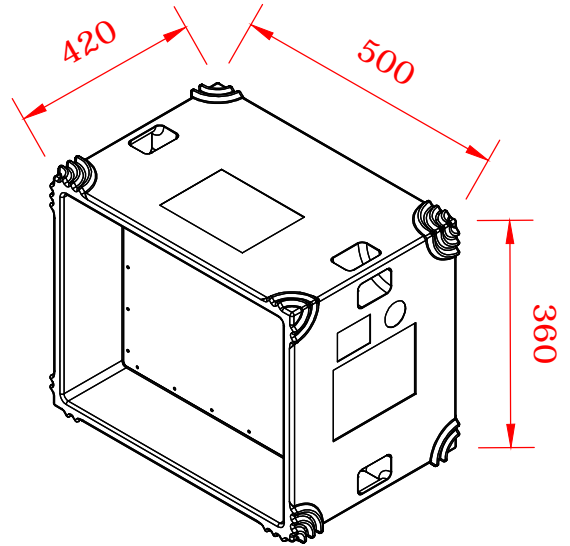


FRONT



BACK

Name: EP

Date: 03.11.2023

Frame: N.A.

Material: PE

Measurements in mm

Type: CUBES-36

**V45.36.0481-D**

**REV-0**

Amp.: 32A

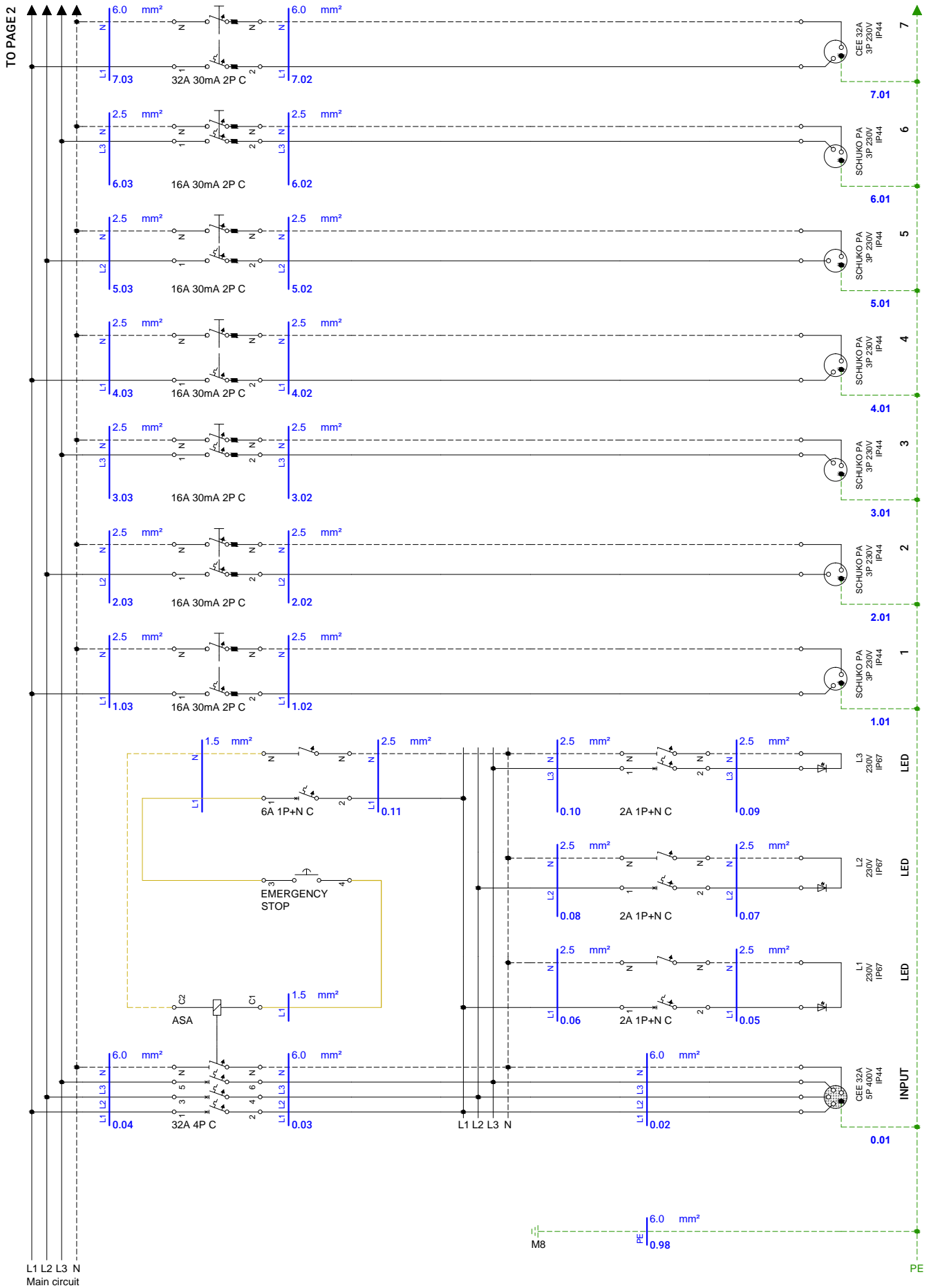
Page: 1/1



Vello Elektro B.V.  
Typograaf 14  
NL - 6921 VB Duiven

Tel. +31 (0)316 25 15 00  
www.vello.nl  
info@vello.nl

**ROCK-SOLID.**  
**INDESTRUCTIBLE.**



Name: EP

Date: 02.01.2024

$I_{nA}$ : 32A

$f_n$  (AC): 50Hz

$U_{nA}$ : 400V

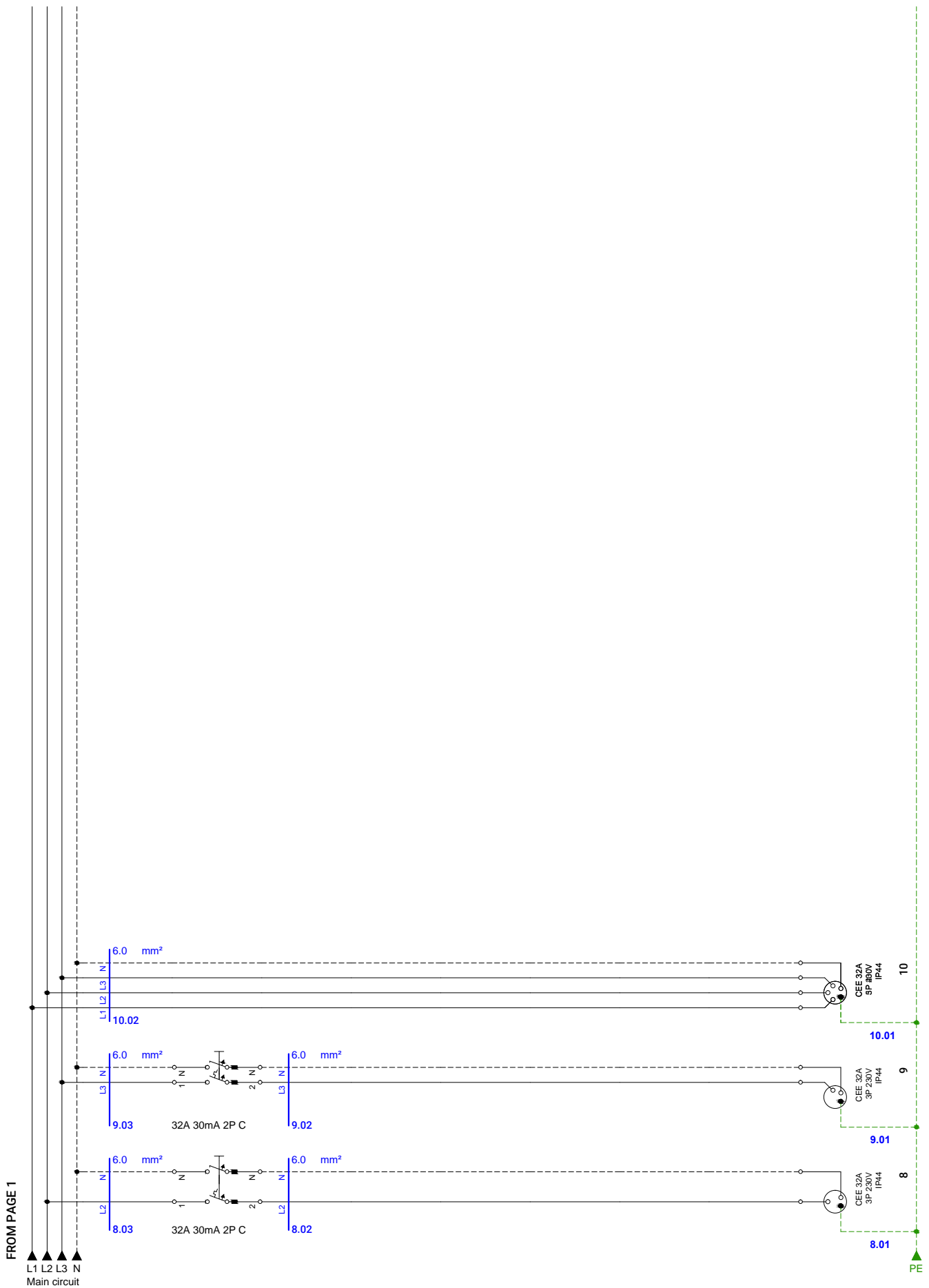
RDF: 0,6

# V45.36.0481-S

Internal wiring H07V-K unless otherwise noted

According to NEN-EN-IEC-61439

Page: 1/2



Name: EP

Date: 02.01.2024

$I_{nA}$ : 32A

$f_n$  (AC): 50Hz

$U_{nA}$ : 400V

RDF: 0,6

# V45.36.0481-S

Internal wiring H07V-K unless otherwise noted

According to NEN-EN-IEC-61439

Page: 2/2